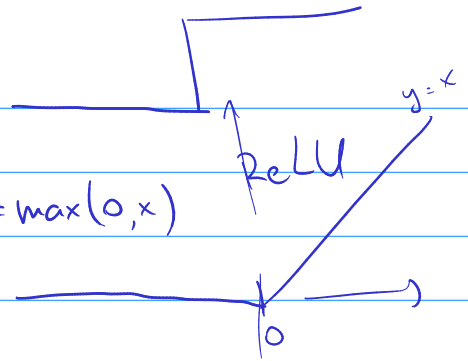
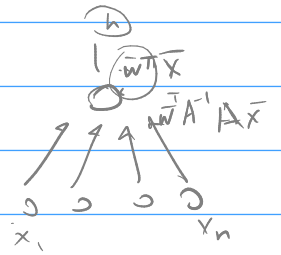


$$\text{ReLU}(x) = \max(0, x)$$

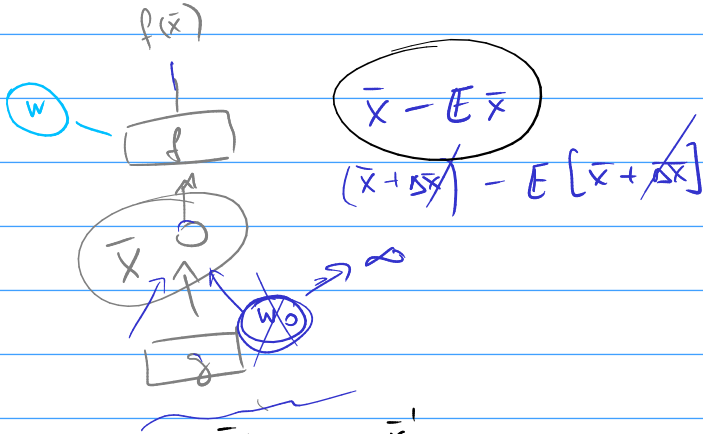


$$\sigma(x) = \frac{1}{1 + e^{-x}}$$

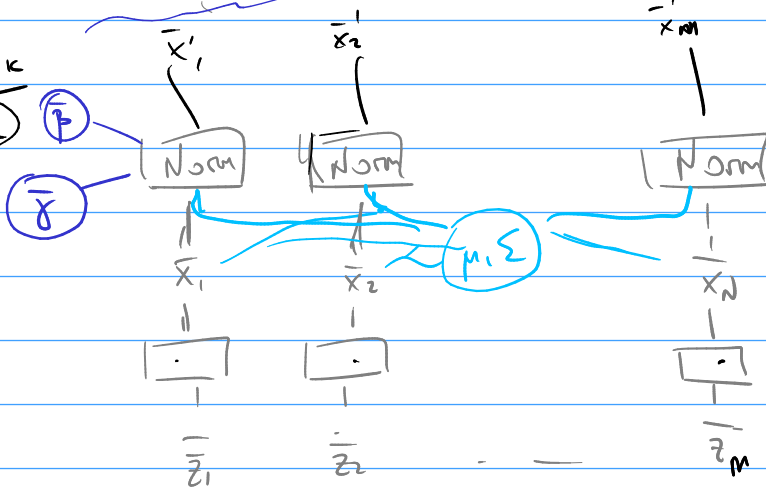
$$\tanh(x)$$



Batch normalization



$$\mu_{\text{norm}} = \frac{x_k - \mu_k}{\sigma_k}$$



$$x'_k = \gamma_k \cdot \frac{x_k - \mu_k}{\sigma_k} + \beta_k$$